

# Circuit Breakers



Selection Guide.....	882
NRA Series.....	883
NRBM Series .....	893
NRC Series .....	900
General Instructions.....	909
Internal Circuit Overview .....	909




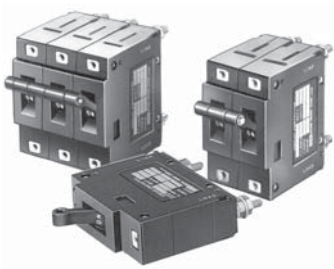

For more information on this product family, visit our website.

Additional resources include:

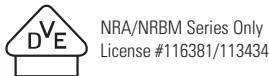
- New and updated product information
- Downloadable software demos & upgrades
- Part configuration tool & cross reference
- Online stock check & ordering
- IDEC field sales & distributor search
- Online literature request
- Downloadable manuals & CAD drawings
- Manufacturer's suggested retail price list
- Product training schedule & locations
- Advertising & trade show schedules
- Press releases & FAQs

**[www.idec.com/circuitbreaker](http://www.idec.com/circuitbreaker)**

Selection Guide

Series Model	NRA	NRBM	NRC
Page	883	893	900
Appearance			
Actuator Style	Lever and Rocker (non-illuminated and illuminated)	Lever	Slide, lever
Number of Poles	Lever: 1, 2, 3 Rocker: 1	1, 2, 3	1, 2
Protection Method	Electromagnetic trip		
Internal Circuits	Series current trip		
Auxiliary Contact	Optional (250V AC, 5A; 50V DC, 1A)	Optional (250V AC, 5A; 50V DC, 1A)	
Alarm Contact	Optional (250V AC, 5A; 50V DC, 1A)	Optional (250V AC, 5A; 50V DC, 1A)	
Inertia Delay	Optional (for resistance to high inrush)	Optional (for resistance to high inrush)	—
Time Delay Curves	2 types for DC; 3 types for AC	2 types for DC; 3 types for AC	2 types for DC; 2 types for AC
Rated Voltage	250V AC, 50/60Hz, 65V DC		
Rated Tripping Currents	0.3A, 0.5A, 0.75A 1A, 2A, 3A, 5A, 7.5A, 10A, 15A, 20A, 25A, 30A	1A, 2A, 3A, 5A, 7.5A, 10A, 15A, 20A, 25A, 30A, 40A, 50A	0.3A, 0.5A, 0.75A, 1A, 2A, 3A, 5A, 7.5A, 10A, 15A, 20A, 25A, 30A
Rated Interruption Capacity	1,000A, 250V AC (50/60Hz), 65V DC	1,000A, 250V AC (50/60Hz), 65V DC	2,500A, 220V AC (50/60Hz, 1-pole) 1,500A, 220V AC (50/60Hz, 2-pole) 1,500A, 65V DC (1-pole) 1,000A, 65V DC (2-pole)
Approvals	Lever: UL, c-UL, VDE Rocker: UL	UL, c-UL, VDE	UL, CSA

- 1. For dimensions, see end of each section.
- 2. UL recognized, applicable standard: UL1077, "Supplementary Protectors."
- 3. Not suitable for branch circuit protection.



Switches & Pilot Lights

Display Lights

Relays & Sockets

Timers

Terminal Blocks

Circuit Breakers

NRA Series

Features:

- Available in 4 different styles
- Excellent overload and short circuit protection
- Small size and high-efficiency
- Life expectancy of over 10,000 operations
- UL1077 recognized “Supplementary Protectors”
- VDE certified to EN60934



NRAS



NRAN



NRAR



Rocker



Illuminated Rocker  
(with Neon lamp)

Specifications

<b>Protection Method</b>	Electromagnetic tripping
<b>Internal Circuit</b>	Series current trip
<b>Number of Poles</b>	NRAS and NRAN: 1, 2, 3 NRAR: 1
<b>Rated Voltage</b>	250V AC, 50/60Hz, 65V DC
<b>Rated Tripping Currents</b>	0.3A, 0.5A, 0.75A 1A, 2A, 3A, 5A, 7.5A, 10A, 15A, 20A, 25A, 30A
<b>Rated Interrupting Capacity</b>	250V AC, 50/60Hz, 1,000A 65V DC, 1,000A
<b>Auxiliary Contact</b>	SPDT microswitch: 250V AC, 5A (resistive load), 50V DC, 1A (resistive load)
<b>Alarm Contact</b>	SPDT microswitch: 250V AC, 5A (resistive load), 50V DC, 1A (resistive load)
<b>Reference Temperature</b>	25°C
<b>Operating Temperature</b>	-40 to +85°C (avoid freezing)
<b>Insulation Resistance</b>	100MΩ (measured with 500V megger)
<b>Dielectric Strength</b>	Between main circuit terminals: 2,000V AC, 1 minute Between main circuit and auxiliary contact: 2,000V AC, 1 minute
<b>Vibration Resistance</b>	100N (approximately 10G) (10 to 100Hz)
<b>Shock Resistance</b>	1,000N (approximately 100G)
<b>Life Expectancy</b>	Minimum 10,000 cycles (at 6 operations per minute)
<b>Termination</b>	Main terminal: Quick-connect receptacle 0.250" (accepts M3.5 screw terminal adapter) Auxiliary contact, alarm contact: Quick-connect receptacle 0.080"
<b>Illumination Voltage</b> (NRAR illuminated units)	Neon: 120, 240V AC, 50/60Hz



Not suitable for branch circuit protection.

Switches & Pilot Lights

Display Lights

Relays & Sockets

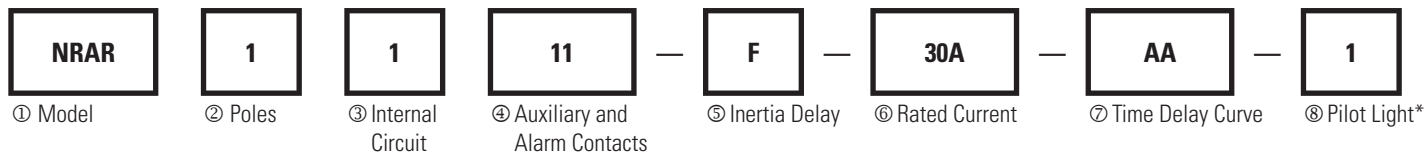
Timers

Terminal Blocks

Circuit Breakers

**Part Numbering Guide**

NRA series part numbers are composed of up to 8 part number codes. When ordering an NRA series part, select one code from each category.  
 Example: NRAR 1 1 11 -F - 30A -AA -1



**Part Number Codes: NRA Series**

	Description	Part Number Code	Remarks
① Model	Lever (round cutout)	NRAS	
	Lever (rectangular cutout)	NRAN	
	Rocker	NRAR	
② No. of Poles	1-pole	1	NRAR available in 1-pole only.
	2-pole	2	All multi-pole circuit breakers are simultaneous throw/simultaneous break.
	3-pole	3	All levers are mechanically interlocked.
③ Internal Circuit	Series current trip	1	
④ Auxiliary and Alarm Contacts	Without	00	
	With auxiliary contact	11	Auxiliary contact switches change state with lever and/or overload condition
	With alarm contact	21	Alarm contact switches change state only with overload condition
⑤ Inertia Delay	Without inertia delay	Blank	
	With inertia delay	F	
⑥ Rated Current	Rated current (current trip)	0.3A, 0.5A, 0.75A, 1A, 2A, 3A, 5A, 7.5A, 10A, 15A, 20A, 25A, 30A	All current ratings must be listed in amps (A). Example conversion: 300mA = 0.30A.
⑦ Time Delay Curve	AC curves	AA, BA,MA	For time delay curves, see page 888.
	DC curves	AD, MD	
⑧ Pilot Light*	With neon light 120V AC (50/60Hz)	1	*Applicable to illuminated NRAR only.
	With neon light 240V AC (50/60Hz)	2	

- 1. For NRA series accessories, see page 886.
- 2. For NRA series time delay curves, see page 888.
- 3. For NRA series dimensions, see page 890.
- 4. Not suitable for branch circuit protection.
- 5. UL recognized, applicable standard: UL1077, "Supplementary Protectors."

Switches & Pilot Lights

Display Lights

Relays & Sockets

Timers

Terminal Blocks

Circuit Breakers

Information About Circuit Breakers

Time Delay Curve Descriptions

Time Delay Curve	NRA Application
AD, AA	Common curves used in molded-case circuit breakers.
BA	Response to overcurrent is quite fast. Suited for protection of semiconductor circuits with very little overload tolerance. If overcurrents are expected to flow, fuses may be required according to the circuit characteristics.
MD, MA	Suited for motor loads that draw high inrush currents lasting a considerable length of time.
With Inertia Delay (F)	Designed not to trip on 20 times the rated current (peak value) for a duration of 8ms. Suited for transformer and lamp loads that draw steep inrush currents.

Inertia Delay Description

Circuit breakers equipped with inertia delay do not respond to high inrush currents such as those produced by transformer, lamp, or motor loads, but perform specified interruption on rated overcurrents.

Specify inertia delay by inserting an "F" in the part number as shown in Part Number Guide on previous page.

Multi-Pole

Multi-pole types such as 2- or 3-pole should be assembled by IDEC.

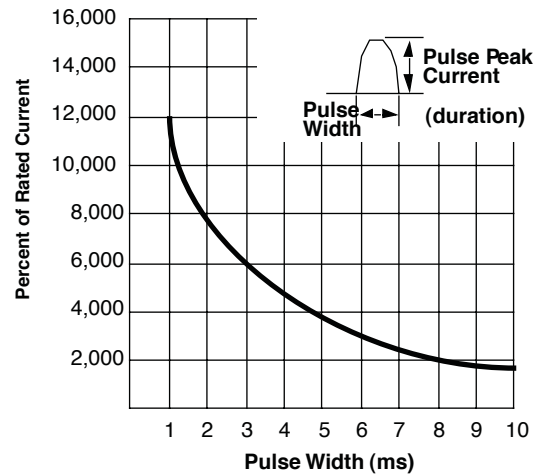
**Because of their characteristics, 1-pole breakers cannot be combined to provide multi-pole units.**

Auxiliary and Alarm Contacts

Multi-pole units can incorporate auxiliary and alarm contacts.

**Auxiliary and alarm contacts will not work with IDEC's DIN rail adapters.**

Notes

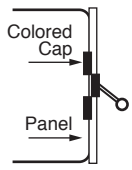



$$1. \text{Percent of Rated Current} = \frac{\text{Pulse Peak Current}}{\text{Protector Rated Current}} \times 100\%$$

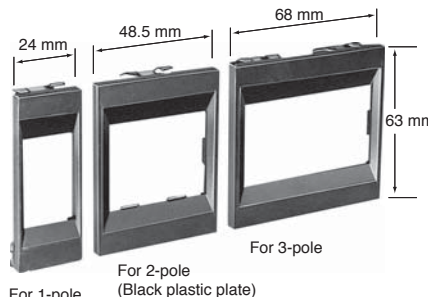
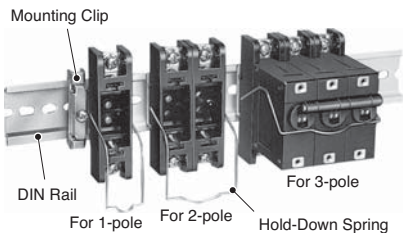

2. Based on sinusoidal or parabolic pulse profile.

**Accessories**

**Part Numbers: NRA Series Accessories**

Description	Appearance	Part No.	Remarks
<b>Color Caps (NRAS only)</b>	<b>Red</b>	NR5R	 <p>Colored caps fit onto NRAS circuit breakers for color coding circuits and improving the appearance of the panel.</p>
	<b>Blue</b>	NR5S	
	<b>Yellow</b>	NR5Y	
	<b>White</b>	NR5H	
<b>Screw Terminal Adapter (1 pair)</b>		NRT	For use on main terminals only. Includes M3.5 clamp screw. For dimensions see page 892.

**Part Numbers: NRA Mounting Accessories**

Description	Appearance	For Model	Number of Poles	Part Number	Remarks
<b>Panel Mount Flush Plate</b>	 <p>For 1-pole For 2-pole (Black plastic plate) For 3-pole</p>	NRAN NRAR	1-pole	NR31	Use of a flush plate makes snap-in mount possible for NRAN, and NRAR circuit breakers (tightening screws not necessary). Multiple units can mount in a single panel cut-out.
		NRAN	2-pole	NR32	
		NRAN	3-pole	NR33	
<b>DIN Rail Plug-in Base</b>	 <p>Mounting Clip DIN Rail Hold-Down Spring For 1-pole For 2-pole For 3-pole</p>	NRAS NRAN	1-pole	NR21	<ol style="list-style-type: none"> <li>Furnished with a hold-down spring.</li> <li>Applicable only for series trip units up to 20 amps.</li> <li>Not applicable for NRAR lighted series.</li> <li>Not for use with circuit breakers incorporating auxiliary or alarm contacts.</li> </ol>
		2-pole	NR22		
		3-pole	NR23		
		NRAR	1-pole	NR211	
<b>Surface Mount Plug-in Base</b>	 <p>DIN Rail Hold-Down Spring For 1-pole For 2-pole For 3-pole</p>	NRAS NRAN	1-pole	NUS1	
			2-pole	NUS2	
			3-pole	NUS3	
		NRAR	1-pole	NUS11	



For dimensions of NRA series accessories and panel cut-out layouts, see drawings starting on page 891.

Switches & Pilot Lights

Display Lights

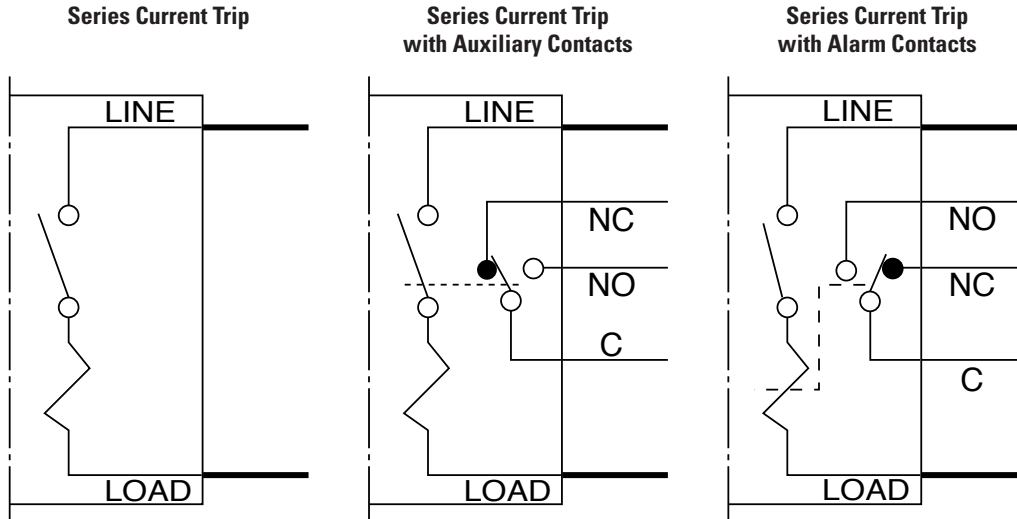
Relays & Sockets

Timers

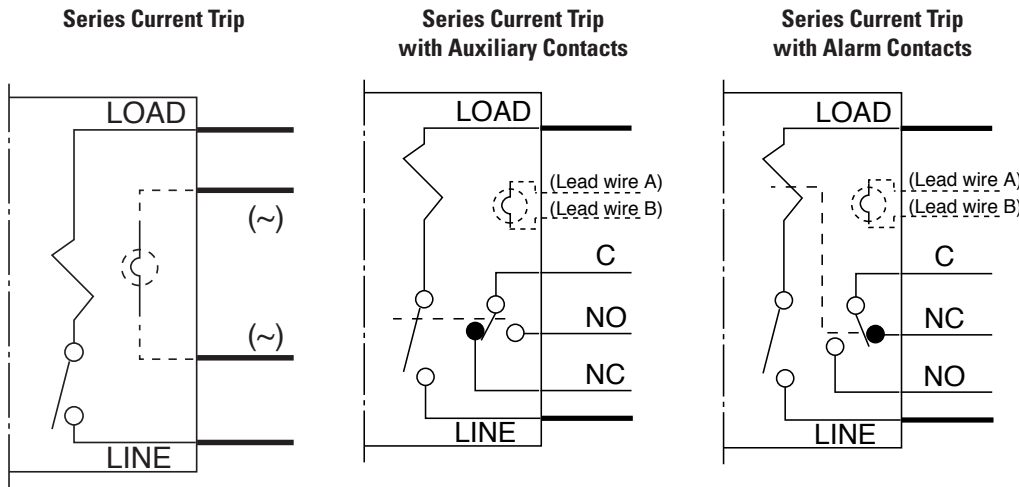
Terminal Blocks

Circuit Breakers

Internal Circuits and Terminal Arrangements: NRAS and NRAN Series



Internal Circuits and Terminal Arrangements: NRAR Series



Pilot Lights (NRAR only)

Pilot Light	Lead Wire	
	A	B
Neon (120V AC)	White	White
Neon (240V AC)	Black	Black



Dashed lines represent NRAR illuminated rocker units. Lead wires for neon pilot light as shown above.

Time Delay Curves (numerical equivalent)

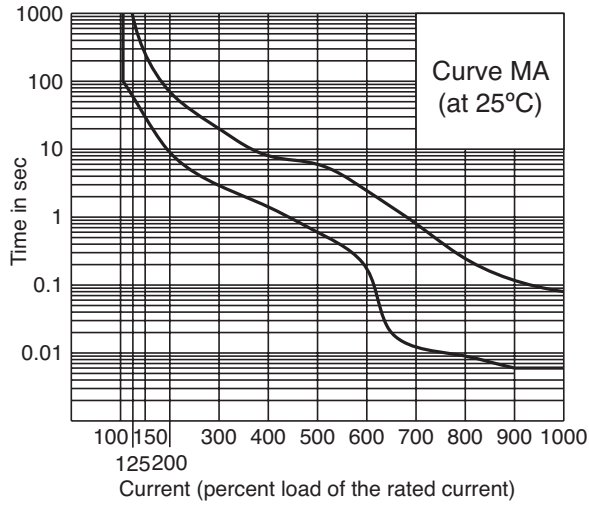
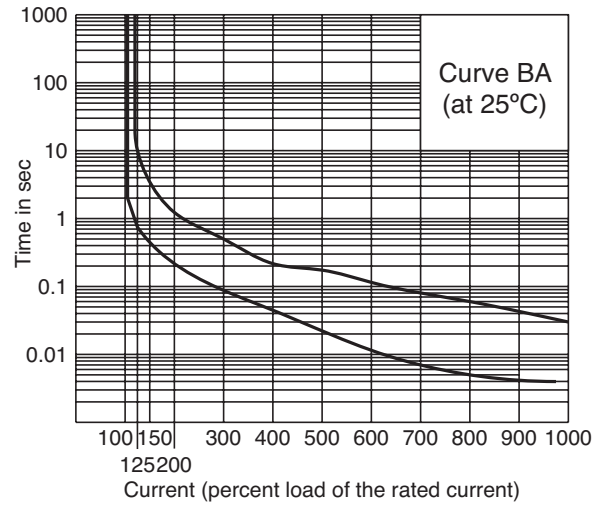
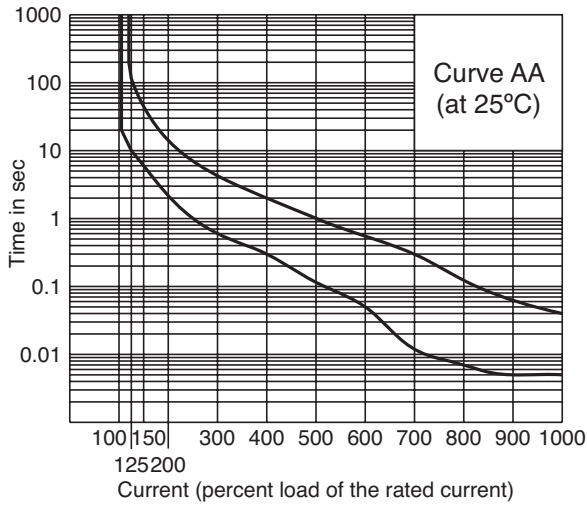
Overcurrent — Time Delay Characteristics in Seconds (at 25°C)

	Curve	Percent of Rated Current							
		100%	125%	150%	200%	400%	600%	800%	1000%
AC (50/60Hz)	AA	No trip	10 – 120	6 – 45	2.2 – 15	0.3 – 2	0.05 – 0.55	0.007 – 0.13	0.005 – 0.04
	BA	No trip	0.75 – 10	0.45 – 3.5	0.22 – 1.3	0.045 – 0.22	0.012 – 0.12	0.005 – 0.06	0.004 – 0.03
	MA	No trip	60 – 900	30 – 260	9 – 70	1.5 – 8	0.18 – 2.5	0.009 – 0.25	0.006 – 0.08
DC	AD	No trip	10 – 130	6 – 55	2.6 – 20	0.5 – 3.5	0.12 – 1.4	0.008 – 0.1	0.005 – 0.05
	MD	No trip	35 – 400	20 – 200	7 – 60	1.3 – 8	0.2 – 3	0.01 – 0.25	0.006 – 0.08

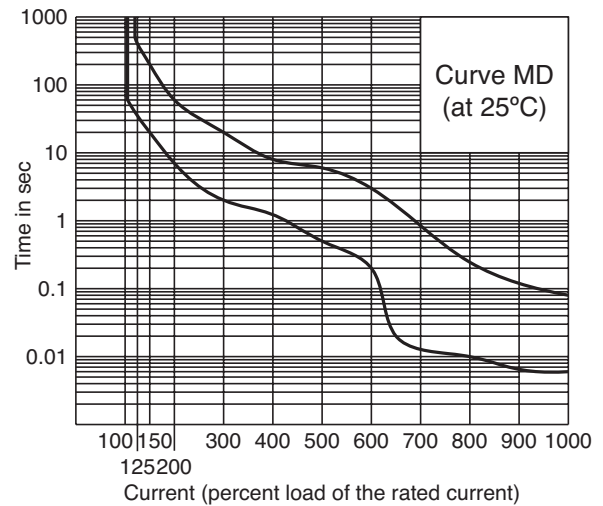
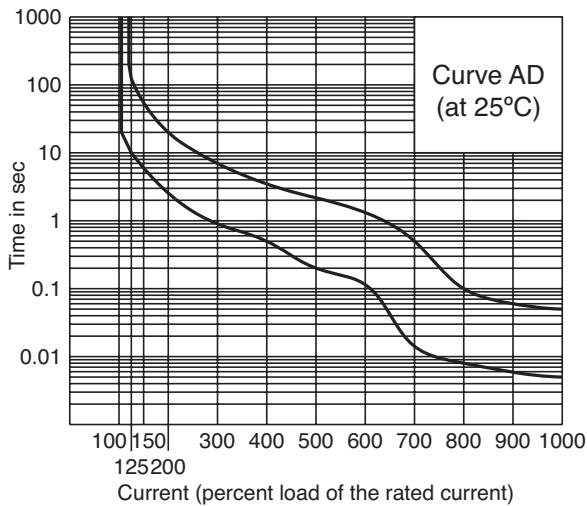


1. All values above are in seconds.  
2. Data in this table is equivalent to information presented in the time delay curves shown on page 888.

**Time Delay Curves – NRA Series**



**DC Time Delay Curves**



Switches & Pilot Lights

Display Lights

Relays & Sockets

Timers

Terminal Blocks

Circuit Breakers



## Resistance and Impedance Characteristics

### Coil Data

Rated Current	DC Resistance	AC Impedance (50/60Hz)
	Curves AD, MD	Curves AA, BA, MA
0.3A	9.67Ω	9.82Ω
0.5A	3.24Ω	3.36Ω
0.75A	1.45Ω	1.49Ω
1A	0.90Ω	0.92Ω
2A	0.21Ω	0.21Ω
3A	0.09Ω	0.092Ω
5A	0.036Ω	0.036Ω
7.5A	0.017Ω	0.018Ω
10A	0.012Ω	0.012Ω
15A	0.0066Ω	0.0068Ω
20A	0.0048Ω	0.0048Ω
25A	0.0043Ω	0.0043Ω
30A	0.0036Ω	0.0041Ω



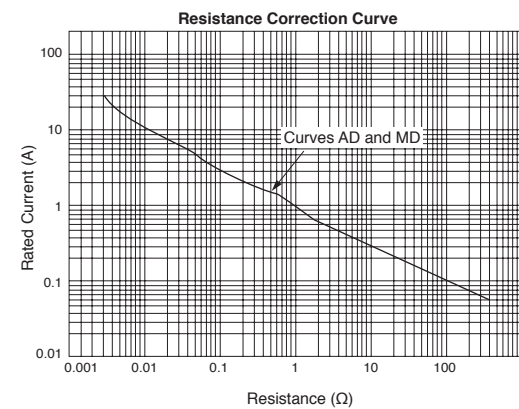
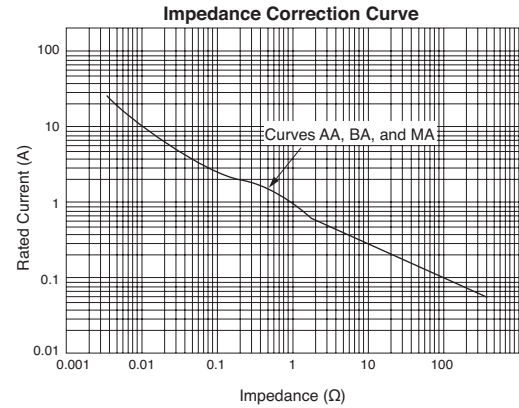
Tolerance ±25% (up to 20A), ±50% (25A and over).

### Voltage Drop Due to Resistance or Impedance

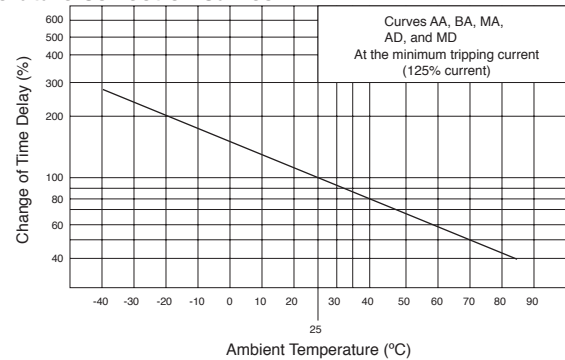
The internal resistance or impedance of a circuit breaker tends to be larger for a smaller rated current. Therefore, when circuit breakers with a small rated current are used, voltage drop should be taken into consideration. Internal resistance also varies with time delay curves, even at the same rated current. This should also be considered during installation.

### Time Delay Curve and Ambient Temperature

Since NRA series circuit breakers employ an electromagnetic tripping system, the rated current (trip current) is not affected by the ambient temperature, but the time delay varies with the oil viscosity in the tube. Lower oil viscosity at higher temperatures results in shorter delay; whereas at lower temperatures, the delay will be prolonged. The time delay curves, shown starting on page 888, are at 25°C. Time delay curves can be corrected.



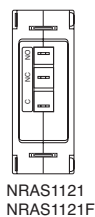
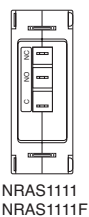
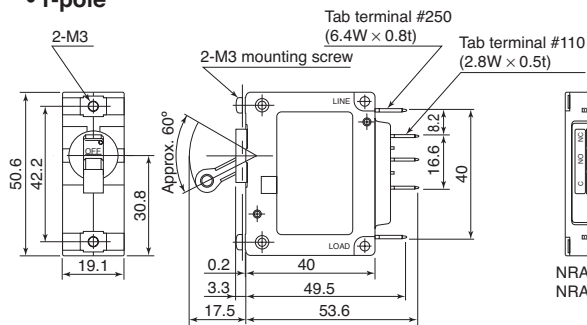
### Temperature Correction Curves



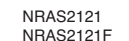
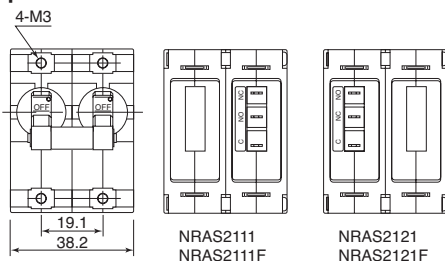
**Dimensions**

**NRAS**

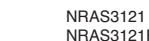
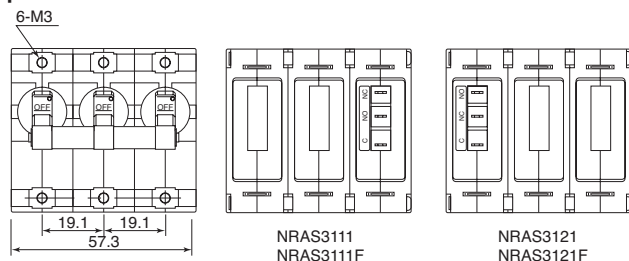
**•1-pole**



**•2-pole**

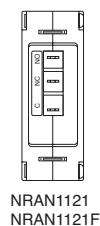
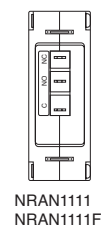
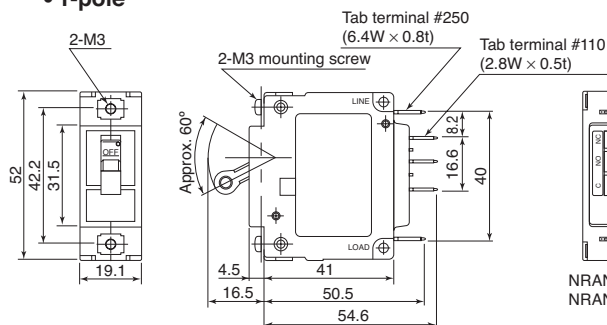


**•3-pole**

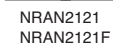
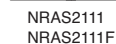
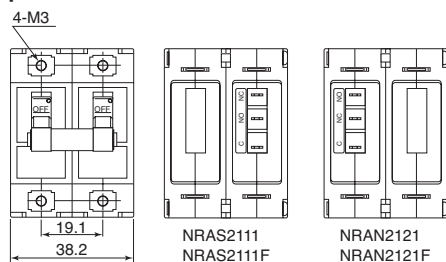


**NRAN**

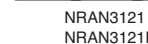
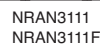
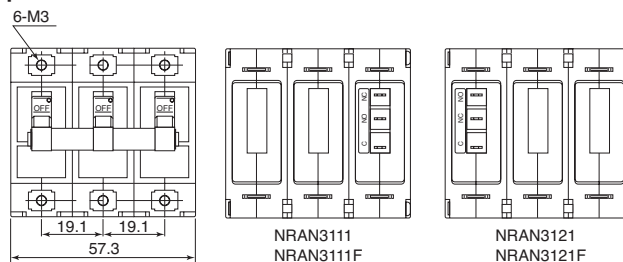
**•1-pole**



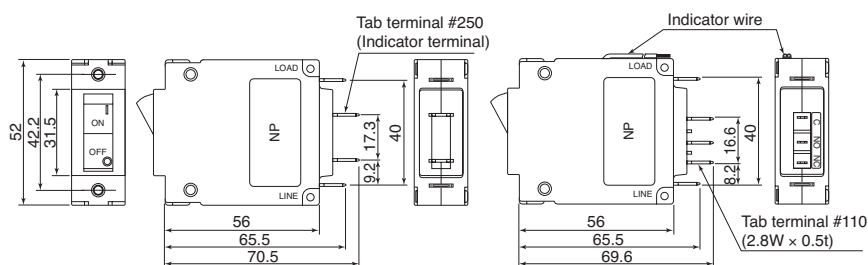
**•2-pole**



**•3-pole**



**NRAR**



Switches & Pilot Lights

Display Lights

Relays & Sockets

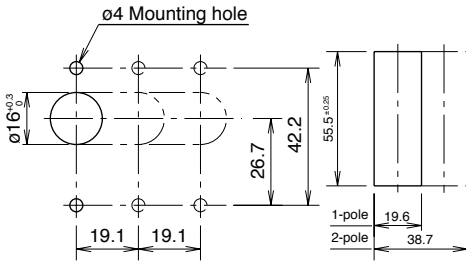
Timers

Terminal Blocks

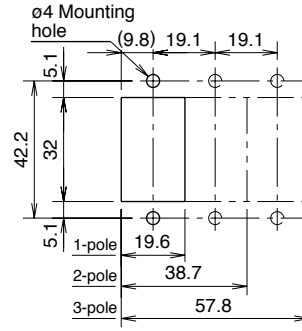
Circuit Breakers

Panel Cut-Outs

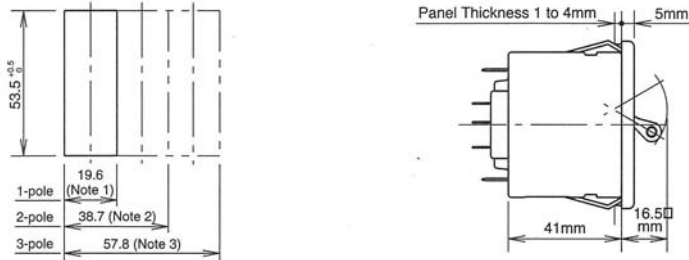
NRAS Series



NRAR, NRAN



NR31, NR32, NR33 – Panel Mount Flush Plate



Panel cut-out when two or more units are mounted closely (n = number of units).  
 Note 1: 24.3n - 5  
 Note 2: 48.8n - 10  
 Note 3: 69.3n - 10

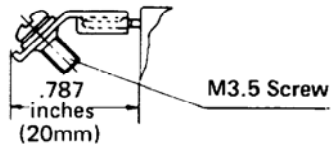


**Installation Angle:** Circuit breakers are designed to operate on a vertical surface. The mounting angle should not exceed a vertical plane by more than 10°.

Model	Maximum Mounting Distance		Dimensions (mm)	
	A	B	Mounting to Panel Surface	Mounting to DIN Rail
NRAS	3.02" (77.5mm)	3.57" (91.5mm)	Mounting on a panel surface 19.1 mm, 20.2 mm	Mounting on a DIN rail 26 mm, 75 mm
NRAN	3.02" (77.5mm)	3.57" (91.5mm)	Mounting on a panel surface 19.1 mm, 20.2 mm	Mounting on a DIN rail 26 mm, 75 mm
NRAR	3.38" (86.7mm)	3.93" (100.7mm)	Mounting on a panel surface 19.1 mm, 20.2 mm	Mounting on a DIN rail 26 mm, 75 mm

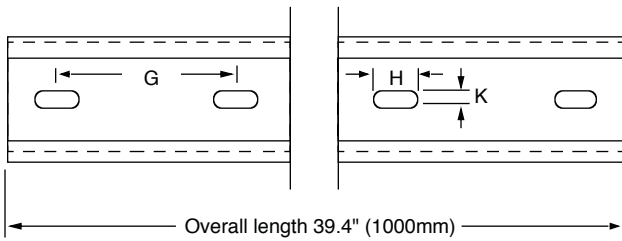
**Accessory Dimensions**

**NRT: Screw Terminal Adapter (for use with NRA Series)**



- 1. For use on main terminals only.
- 2. Includes M3.5 clamp screw.

**BNDN1000 Aluminum DIN Rail**



	Length in Inches (mm)
A	1.4" (35mm)
B	1.14" (29mm)
C	0.78" (23mm)
D	1.2" (31mm)
E	0.41" (10.5mm)
F	0.11" (3mm)
G	2" (51mm)
H	0.47" (12mm)
K	0.16" (4mm)

Switches & Pilot Lights

Display Lights

Relays & Sockets

Timers

Terminal Blocks

Circuit Breakers

## NRBM Series

NRBM circuit breakers are the largest in rated current (1A to 50A) among the IDEC circuit breakers series. These small sized, high-efficiency breakers offer a variety of protection characteristics that can be widely employed for semiconductors, relay circuits, heater circuits, transformers, and solenoids.

### Key features of the NRBM series include:

- Excellent overload and short circuit protection
- Small size and high efficiency
- Life expectancy of over 10,000 operations
- UL1077 recognized Supplementary Protectors
- VDE Certified to EN60934



File No. E68029



License #113434



Switches &amp; Pilot Lights

Display Lights

Relays &amp; Sockets

Timers

Terminal Blocks

### General Specifications

<b>Protection Method</b>	Electromagnetic tripping
<b>Internal Circuit</b>	Series current trip
<b>Number of Poles</b>	1, 2, 3
<b>Rated Voltage</b>	250V AC, 50/60Hz, 65V DC
<b>Rated Tripping Currents</b>	Current trip: 1A, 2A, 3A, 5A, 7.5A, 10A, 15A, 20A, 25A, 30A, 40A, 50A
<b>Rated Interrupting Capacity</b>	250V AC, 50/60Hz, 1,000A 65V DC, 1,000A
<b>Auxiliary Contacts / Alarm Contact</b>	SPDT microswitch 250V AC, 5A (resistive load) 50V DC, 1 A (resistive load)
<b>Reference Temperature</b>	25°C
<b>Ambient Operating Temperature</b>	-40 to +85°C (avoid freezing)
<b>Insulation Resistance</b>	100MΩ (measured with 500V megger)
<b>Dielectric Strength</b>	Between main circuit terminals: 2,000V AC, 1 minute Between main circuit and auxiliary contact: 2,000V AC, 1 minute
<b>Vibration Resistance</b>	100N (approximately 10G), 10 to 55Hz
<b>Shock Resistance</b>	1,000N (approximately 100G)
<b>Life Expectancy</b>	10,000 operations minimum (at 6 operations per minute)
<b>Terminal Style</b>	Main terminal: M5 stud Auxiliary contact/ alarm contact: Quick-connect tab 0.110" terminal
<b>Weight</b>	1-pole/100g 2-pole/200g 3-pole/300g

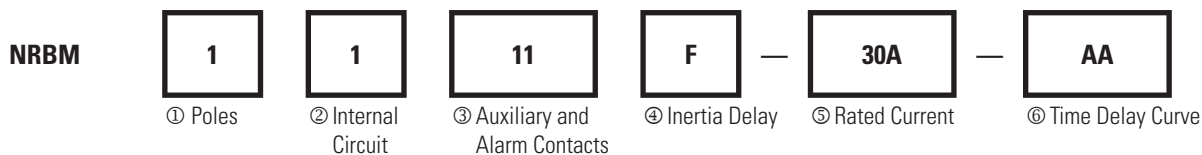


Not suitable for branch circuit protection.

Circuit Breakers

**Part Numbering Guide**

NRBM series part numbers are composed of 6 part number codes. When ordering an NRBM series part, select one code from each category.  
 Example: NRBM 1 1 11 F-30A-AA



**Part Number Codes: NRA Series**

	Description	Part Number Code	Remarks
① <b>No. of Poles</b>	1-pole	1	All multiple pole circuit breakers are simultaneous throw/simultaneous break. All levers are mechanically interlocked.
	2-pole	2	
	3-pole	3	
② <b>Internal Circuit</b>	Series current trip	1	
③ <b>Auxiliary and Alarm Contacts</b>	Without	00	
	With auxiliary contact	11	Auxiliary contacts change state with lever and/or overload condition
	With alarm contact	21	Alarm contacts change state only with overload condition
④ <b>Inertia Delay</b>	Without inertia delay	Blank	
	With inertia delay	F	
⑤ <b>Rated Current</b>	Rated current (current trip)	1A, 2A, 3A, 5A, 7.5A, 10A, 15A, 20A, 25A, 30A, 40A, 50A	
⑥ <b>Time Delay Curve</b>	AC curves	AA, BA, MA	See page 897 for delay curves.
	DC curves	AD, MD	

- 1. For NRBM series time delay curves, see page 897.
- 2. For NRBM series dimensions, see page 899.
- 3. Not suitable for branch circuit protection.
- 4. UL recognized, applicable standard: UL1077, "Supplementary Protectors."

Switches & Pilot Lights

Display Lights

Relays & Sockets

Timers

Terminal Blocks

Circuit Breakers

Information About Circuit Breakers

Time Delay Curve Descriptions

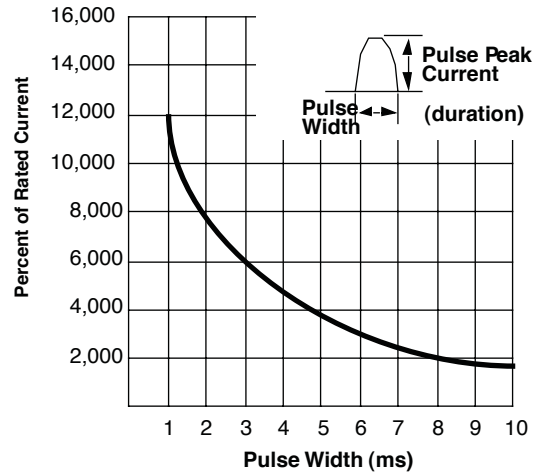
Time Delay Curve	NRBM Application
AD, AA	Common curves used in molded-case circuit breakers.
BA	Response to overcurrent is quite fast. Suited for protection of semiconductor circuits with very little overload tolerance. If overcurrents are expected to flow, fuses may be required according to the circuit characteristics.
MD, MA	Suited for motor loads that draw high inrush currents lasting a considerable length of time.
With Inertia Delay (F)	Designed not to trip on 20 times the rated current (peak value) for a duration of 8ms. Suited for transformer and lamp loads that draw steep inrush currents.

Inertia Delay Descriptions

Circuit breakers equipped with inertia delay do not respond to high inrush currents such as those produced by transformer, lamp, or motor loads, but perform specified interruption on rated overcurrents.

Inertia delay is available with time delay curves AD, MD, AA, BA, and MA.

Specify inertia delay by inserting an "F" in the part number as shown in Part Number Guide on previous page.



$$1. \text{Percent of Rated Current} = \frac{\text{Pulse Peak Current}}{\text{Protector Rated Current}} \times 100\%$$

2. Based on sinusoidal or parabolic pulse profile.

Notes

Multi-Pole

Multi-pole types such as 2- or 3-pole should be assembled by IDEC.

**Because of their characteristics, 1-pole breakers cannot be combined to provide multi-pole units.**

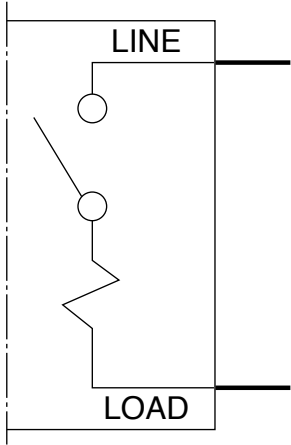
All multi-pole units are simultaneous break/simultaneous make, with levers mechanically interlocked.

Auxiliary and Alarm Contacts

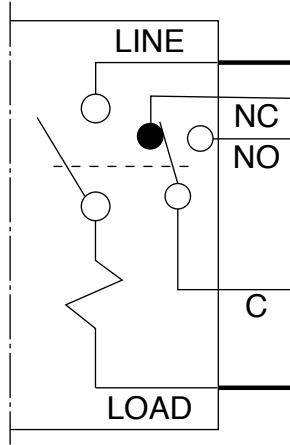
Multi-pole units with auxiliary contacts will have one set of auxiliary contacts on the right-most breaker. Multi-pole units with alarm contacts will have one set of alarm contacts on the left-most breaker.

**Internal Circuits and Terminal Arrangements**

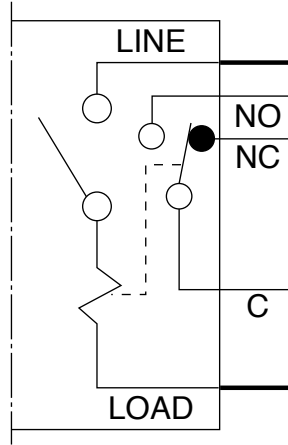
**Series Current Trip**



**Series Current Trip with Auxiliary Contacts**



**Series Current Trip with Alarm Contacts**



**Time Delay Curves (numerical equivalent)**

**Overcurrent — Time Delay Characteristics in Seconds (at 25°C)**

		Percent of Rated Current							
		Curve	100%	125%	150%	200%	400%	600%	800%
AC (50/60Hz)	AA	No trip	15 – 120	8 – 45	3 – 15	0.48 – 2.5	0.06 – 0.8	0.007 – 0.13	0.005 – 0.04
	BA	No trip	0.75 – 10	0.45 – 3.5	0.22 – 1.3	0.045 – 0.22	0.012 – 0.12	0.005 – 0.06	0.004 – 0.03
	MA	No trip	70 – 900	30 – 260	10 – 70	1.8 – 11	0.5 – 4	0.009 – 1.1	0.006 – 0.2
DC	AD	No trip	10 – 130	6 – 55	2.6 – 20	0.5 – 3.5	0.14 – 1.4	0.008 – 0.7	0.005 – 0.35
	MD	No trip	35 – 400	20 – 180	8 – 60	1.6 – 10	0.6 – 4.5	0.01 – 2	0.007 – 0.5

- 1. All values above are in seconds.
- 2. Data in this table is equivalent to information presented in the time delay curves shown on page 897.

Switches & Pilot Lights

Display Lights

Relays & Sockets

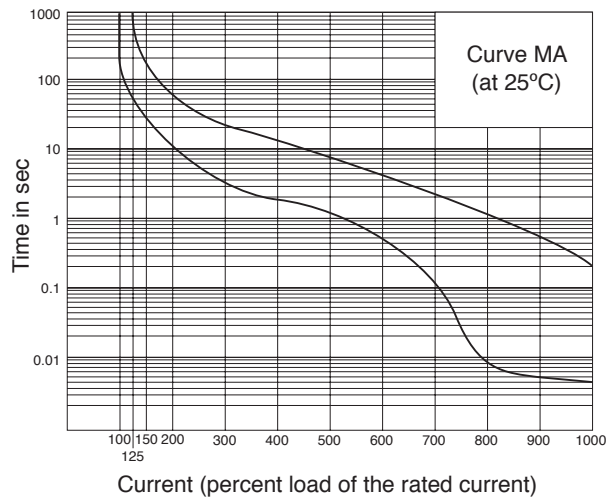
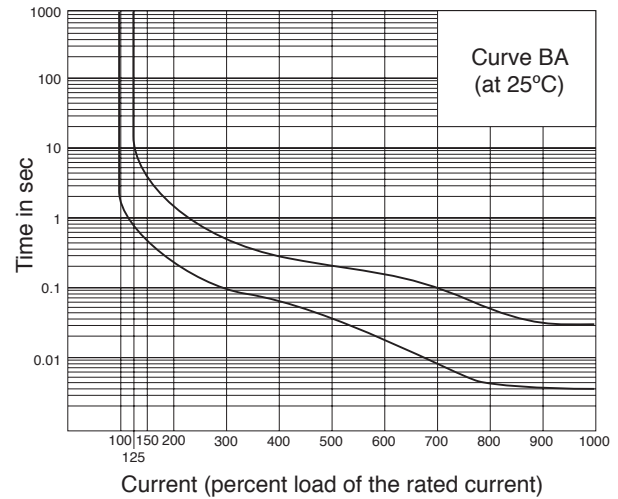
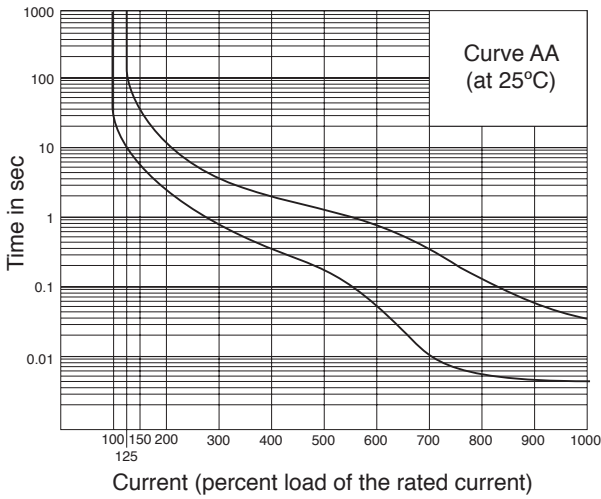
Timers

Terminal Blocks

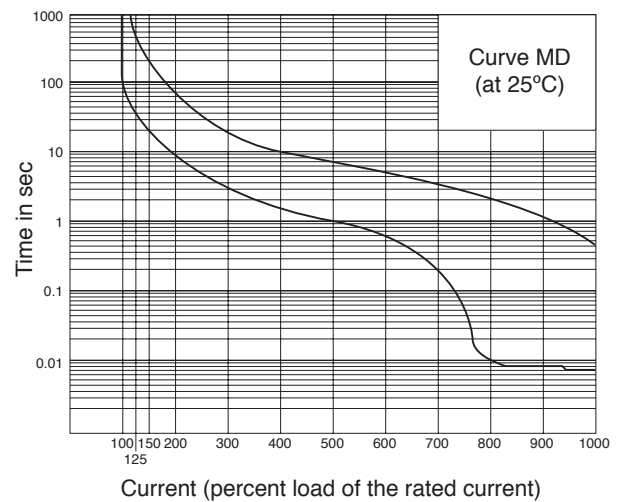
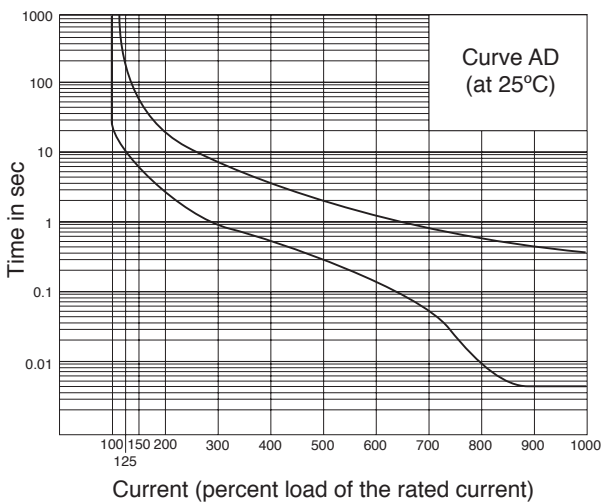
Circuit Breakers



AC Time Delay Curves



DC Time Delay Curves



Switches & Pilot Lights

Display Lights

Relays & Sockets

Timers

Terminal Blocks

Circuit Breakers

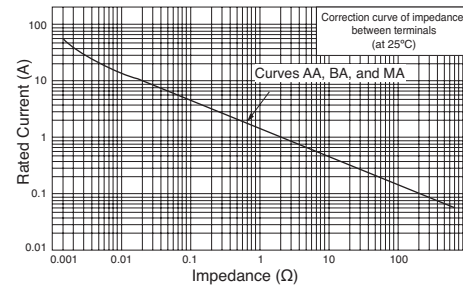
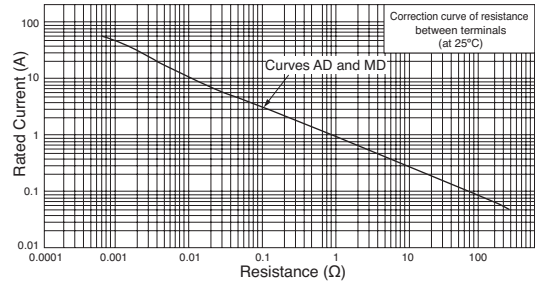
Resistance and Impedance Characteristics

Coil Data

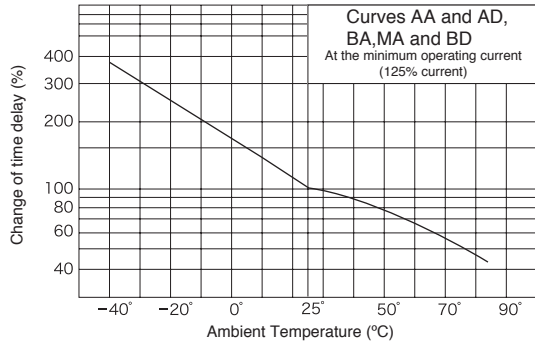
Rated Current	DC Resistance	AC Impedance (50/60Hz)
	Curves AD, MD	Curves AA, BA, MA
1A	1Ω	1.1Ω
2A	0.227Ω	0.245Ω
3A	0.091Ω	0.11Ω
5A	0.035Ω	0.039Ω
7.5A	0.015Ω	0.018Ω
10A	0.0088Ω	0.0124Ω
15A	0.005Ω	0.0065Ω
20A	0.003Ω	0.0047Ω
25A	0.0023Ω	0.0032Ω
30A	0.0019Ω	0.0031Ω
40A	0.0018Ω	0.002Ω
50A	0.0014Ω	0.0016Ω

 Tolerance ±25% (up to 20A), ±50% (25A and over).

Coil Resistance at 25°C



Temperature Correction Curves



Voltage Drop Due to Resistance or Impedance

The internal resistance or impedance of a circuit breaker tends to be larger for a smaller rated current. Therefore, when circuit breakers of a small rated current are used, voltage drop should be taken into consideration. Internal resistance also varies with time delay curves, even at the same rated current. This should also be considered during installation.

Time Delay Curve and Ambient Temperature

Since NRBM series circuit breakers employ an electromagnetic tripping system, the rated current (trip current) is not affected by the ambient temperature, but the time delay varies with the oil viscosity in the tube. Lower oil viscosity at higher temperatures results in shorter delay; whereas at lower temperatures, the delay will be prolonged. The time delay curves, shown starting on page 897, are at 25°C. Time delay curves can be corrected.

Switches & Pilot Lights

Display Lights

Relays & Sockets

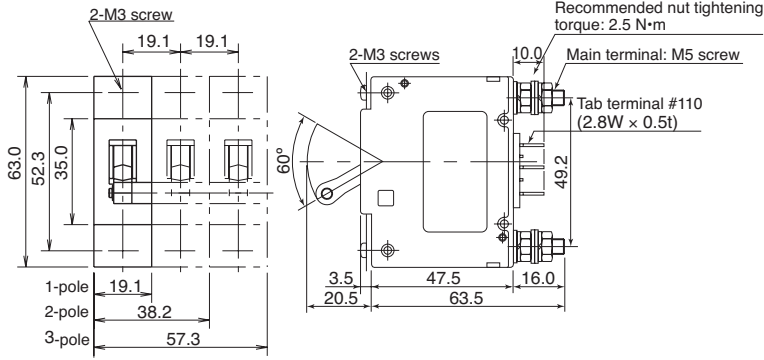
Timers

Terminal Blocks

Circuit Breakers

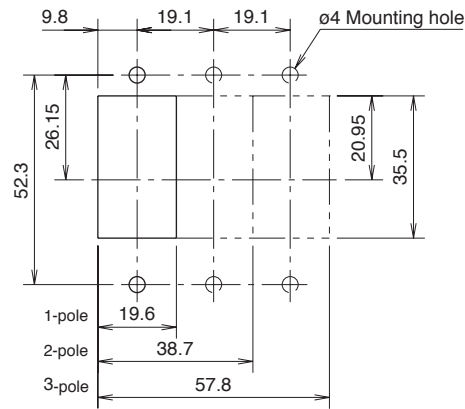
Dimensions: NRBM Series

NRBM



NRBM Series

Panel Cut-Outs



Drawings are not to scale.

Switches & Pilot Lights

Display Lights

Relays & Sockets

Timers

Terminal Blocks

Circuit Breakers

## NRC Series

NRC series circuit breakers offer circuit protection which is far superior to using fuses in applications containing relay circuits, motor circuits, heater circuits, transformers, solenoid valves, and semiconductors.

### Key features of the NRC series include:

- Mounting options include DIN rail, direct surface, or panel cut-out
- Rated interrupting capacity of 2,500A (1-pole) and 1,500A (2-pole)
- Choice of slide or lever actuators
- All models equipped with reset trip indicators
- Four curves available for standard or very short delay
- Available in 11 rated currents from 300mA to 30A
- UL1077 recognized "Supplementary Protectors"



UL Recognized  
File No. E68029



CSA Certified  
File No. LR83454

### Specifications

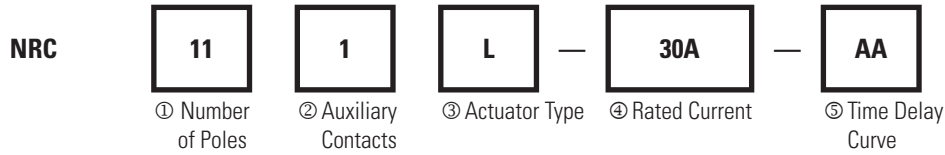
<b>Protection Method</b>	Electromagnetic tripping
<b>Internal Circuit</b>	Series current trip
<b>Number of Poles</b>	1, 2
<b>Rated Voltage</b>	250V AC (50/60Hz), 65V DC
<b>Rated Tripping Currents</b>	0.3A, 0.5A, 1A, 2A, 3A, 5A, 7A, 10A, 15A, 20A, 30A
<b>Rated Interrupting Capacity</b>	2,500A, 250V AC, 50/60Hz (2-pole: 1,500A)
<b>Auxiliary Contact</b>	SPDT contact output 250V AC 3A (resistive load) 65V DC 1A (resistive load)
<b>Reference Temperature</b>	40°C
<b>Operating Temperature</b>	-10 to +60°C (avoid freezing)
<b>Insulation Resistance</b>	100MΩ (500V megger)
<b>Dielectric Strength</b>	Between the live part and the ground, between terminals of different poles, between terminals of the same pole, and between main circuit and auxiliary contact: 2,000V AC, 1 minute
<b>Vibration Resistance</b>	100N (approximately 10G) (10 to 55Hz)
<b>Shock Resistance</b>	500N (approximately 50G)
<b>Life</b>	10,000 operations minimum
<b>Terminal Style</b>	Main terminal: M4 screw (20A maximum) M5 screw (30A model) Auxiliary terminal: M3.5 screw
<b>Weight (approximate)</b>	1-pole: 115g, 2-pole: 230g





Not suitable for branch circuit protection.

### Part Numbering Guide

NRC series part numbers are composed of 5 part number codes. When ordering an NRC series part, select one code from each category.  
 Example: NRC 1 1 1L-30A-AA





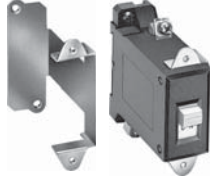



#### Part Number Codes: NRA Series

	Appearance	Description	Part Number Code	Remarks
① No. of Poles		1-pole	11	
		2-pole	21	
② Auxiliary Contacts		No	0	
		Yes	1	
③ Actuator Type		Slide	Leave blank	Slide actuator available only for 1-pole models.
		Lever	L	
④ Rated Current			0.3A, 0.5A, 1A, 2A, 3A, 5A, 7A, 10A, 15A, 20A, 30A	
⑤ Time Delay Curve			AC curves: AA, EA; DC curves: AD, ED	

- 1. For NRC series accessories, see page 902.
- 2. For NRC series time delay curves, see page 903.
- 3. For NRC series dimensions, see page 905.

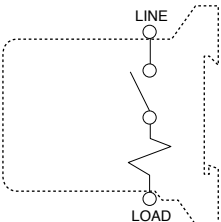
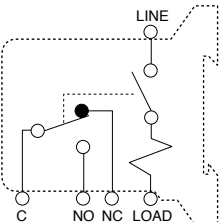
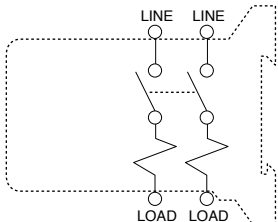
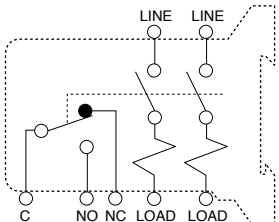
**Accessories**

**Part Numbers: DIN Rail and Mounting Clips**

Description	Appearance	Part No.	Remarks
<b>Aluminum DIN Rail</b> (1 meter length)		BNDN1000	For dimensional drawing, see page 908.
<b>DIN Rail End Clip</b> Metal end clip used to prevent side-to-side movement of circuit breakers when mounted on a DIN rail. One clip required at each end.		BNL5	
<b>Panel Cut-Out Mounting Bracket</b> Mounting bracket used to mount circuit breaker(s) in panel cut-outs. Not applicable for models with auxiliary contacts (NRC111, NRC111L, NRC211L). When mounting 2-pole models (NRC210L), use two brackets side-by-side. It is recommended to use the "Fast-On Tab Terminal Adapter" (below) when using this bracket.		NRC-M	For dimensional drawings, see page 907.
<b>Surface Mounting Bracket</b> Used for direct surface mounting 1-pole circuit breaker models.		NRC-F	For dimensional drawings, see page 907.
<b>Fast-On Tab Terminal Adapter</b> Adapter used for Fast-On wiring termination. Fast-On tab extends 0.47" (12mm) in length. Cannot be used to replace models with M5 main terminals (30A). Fast-On terminal adapter recommended when using panel cut-out mounting bracket for rear wiring.		NRC-T	
<b>Jumper</b> Used for jumping auxiliary terminals. The rated current for jumper is 3A.		NRC-J	

 For dimensions of NRC series accessories, see page 907.

**Internal Circuits and Terminal Arrangements**

Type	1-pole without auxiliary contact	1-pole with auxiliary contact	2-pole without auxiliary contact	2-pole with auxiliary contact
	NRC110, NRC110L	NRC111, NRC111L	NRC210L	NRC211L
Series Trip				

### Time Delay Curves (numerical equivalent)

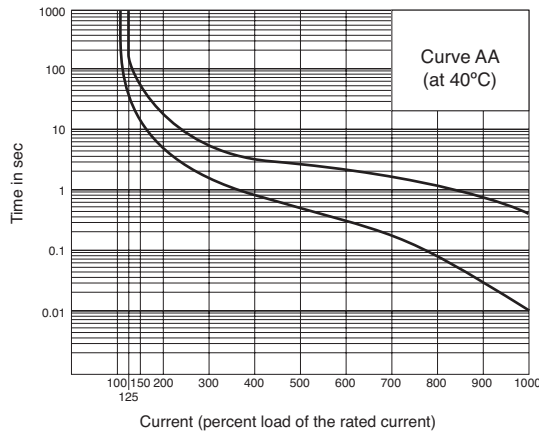
#### Overcurrent — Time Delay Characteristics in Seconds (at 40°C)

		Percent of Rated Current								
		Curve	100%	125%	150%	200%	400%	600%	800%	1000%
AC (50/60Hz)	AA	No trip	40 – 240	10 – 50	3.5 – 18	0.9 – 4	0.35 – 2	0.07 – 1.2	0.01 – 0.5	
	EA	No trip	0.04 – 0.4	0.025 – 0.15	0.015 – 0.06	0.007 – 0.025	0.005 – 0.018	0.004 – 0.017	0.004 – 0.017	
DC	AD	No trip	40 – 240	10 – 50	3.5 – 18	0.6 – 3	0.008 – 0.5	0.005 – 0.09	0.004 – 0.07	
	ED	No trip	0.04 – 0.4	0.025 – 0.15	0.015 – 0.06	0.007 – 0.025	0.005 – 0.018	0.004 – 0.017	0.004 – 0.017	

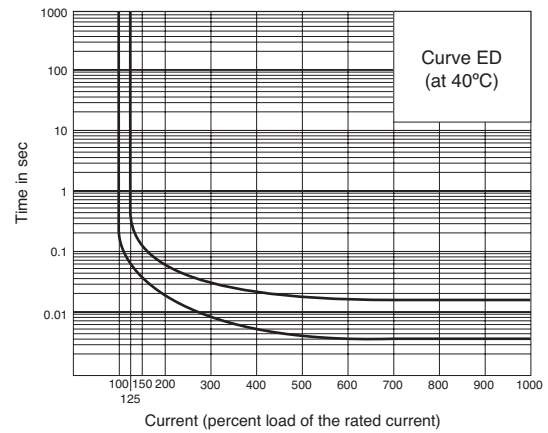
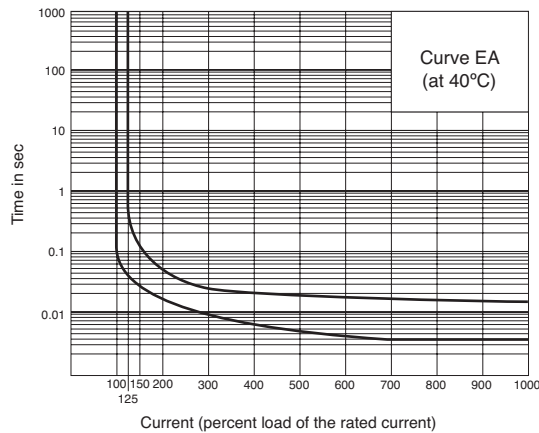
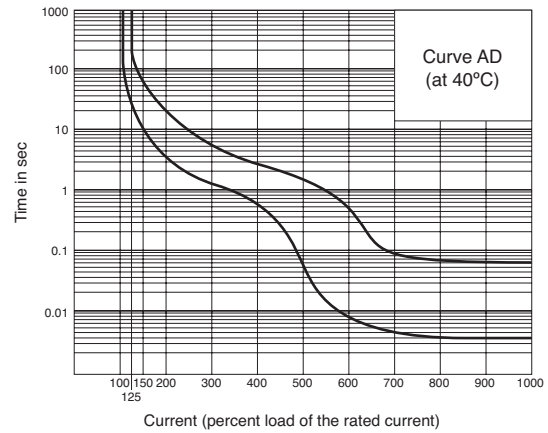
- 1. All values above are in seconds.
- 2. Data in this table is equivalent to information presented in the time delay curves below.

#### Time Delay Curves

AC (50/60 Hz) Time Delay Curves



DC Time Delay Curves



Switches & Pilot Lights

Display Lights

Relays & Sockets

Timers


Terminal Blocks

Circuit Breakers

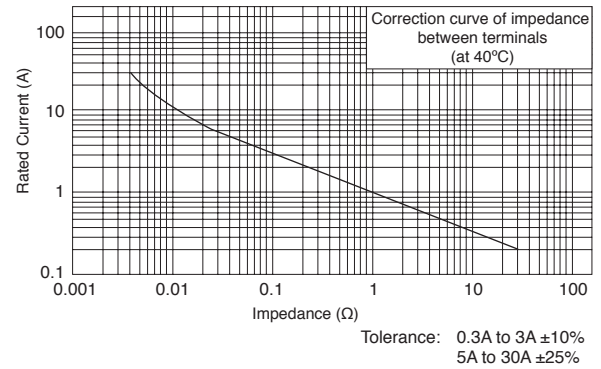
**Resistance and Impedance Characteristics**

**Coil Impedance (at 40°C)**

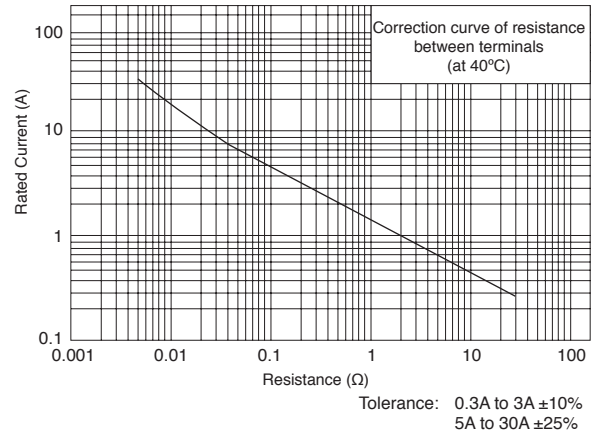
Rated Current	AC Impedance (50/60Hz)	DC Resistance
0.30A	15.1Ω	25.6Ω
0.50A	5.58Ω	9.04Ω
1A	1.54Ω	2.33Ω
2A	0.341Ω	0.548Ω
3A	0.162Ω	0.261Ω
5A	0.061Ω	0.099Ω
7A	0.031Ω	0.048Ω
10A	0.017Ω	0.026Ω
15A	0.008Ω	0.013Ω
20A	0.0058Ω	0.0075Ω
30A	0.0039Ω	0.0046Ω

 Tolerance: ±10% (0.3A to 3A), ±25% (5A to 30A).

**AC Impedance at 40°C**



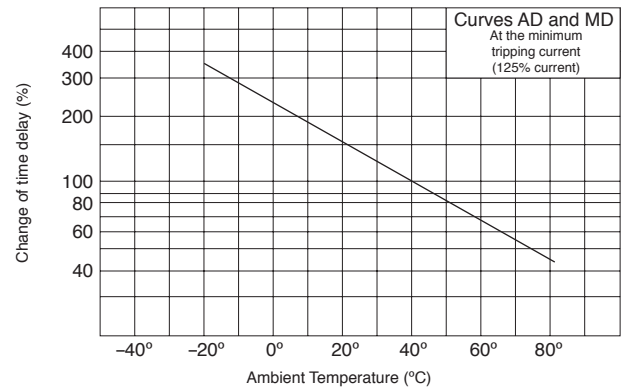
**DC Resistance at 40°C**



**Voltage Drop Due to Resistance or Impedance**

The internal impedance of a circuit breaker tends to be larger for a smaller rated current. Therefore, when low rated circuit breakers are used, voltage drop should be taken into consideration.

**Temperature Correction Curves**



Switches & Pilot Lights

Display Lights

Relays & Sockets

Timers

Terminal Blocks

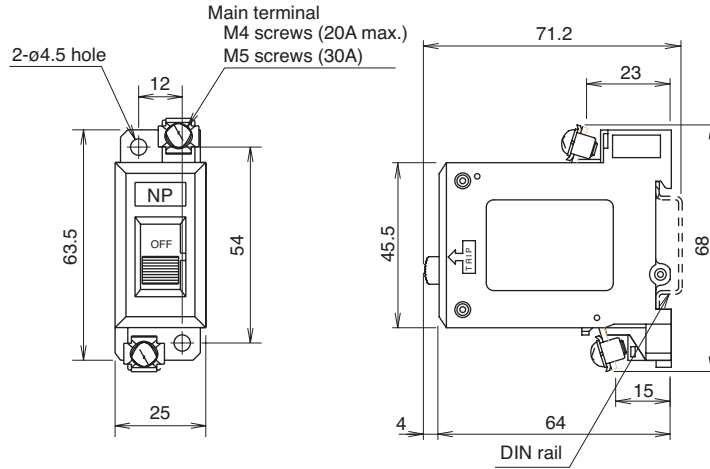
Circuit Breakers



Dimensions: NRC Series

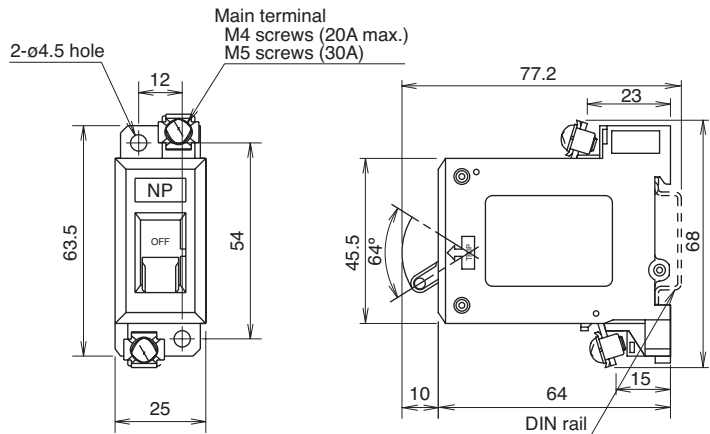
**NRC110**

Slide Actuator  
1-Pole without Auxiliary Contacts



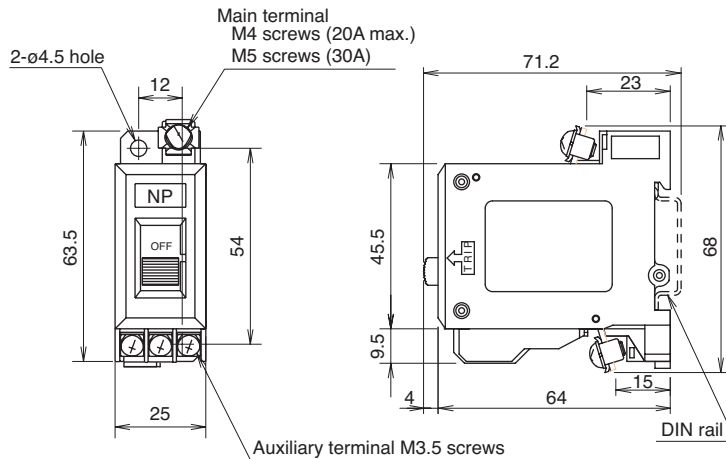
**NRC110L**

Lever Actuator  
1-Pole without Auxiliary Contacts



**NRC111**

Slide Actuator  
1-Pole with Auxiliary Contacts

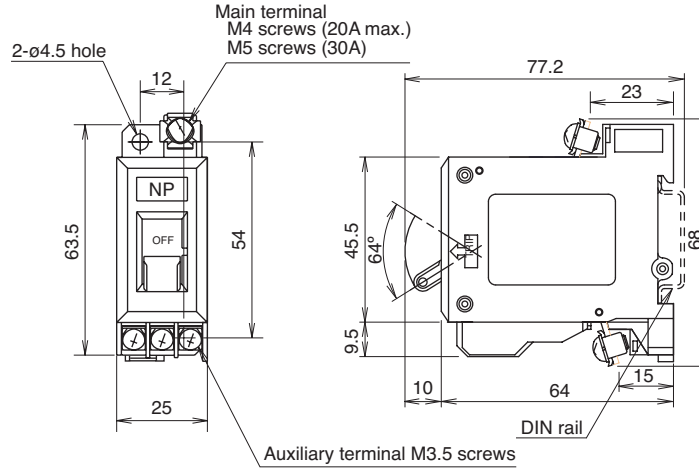


**Installation Angle:** Circuit breakers are designed to operate on a vertical surface. The mounting angle should not exceed a vertical plane by more than 10°.

**Dimensions: NRC Series, continued**

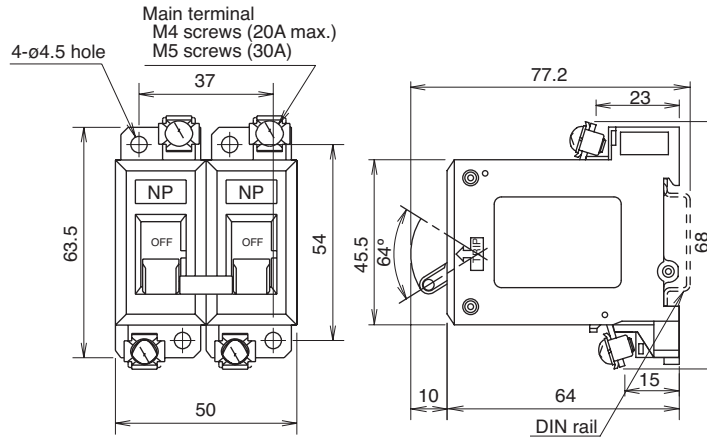
**NRC111L**

Lever Actuator  
1-Pole with Auxiliary Contacts



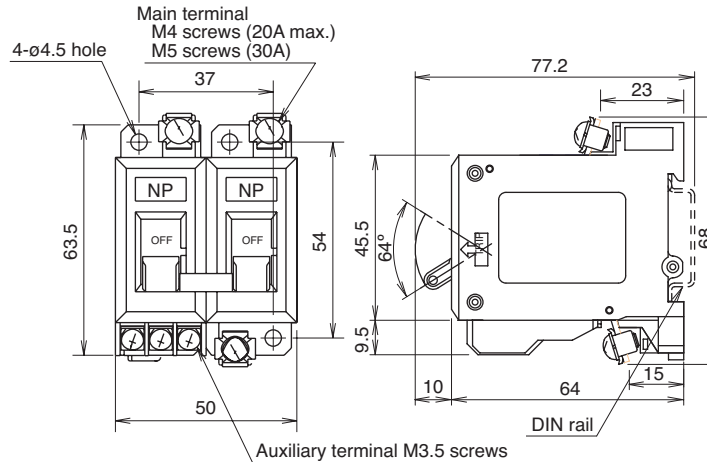
**NRC210L**

Lever Actuator  
2-Pole without Auxiliary Contacts



**NRC211L**

Lever Actuator  
2-Pole with Auxiliary Contacts



**Installation Angle:** Circuit breakers are designed to operate on a vertical surface. The mounting angle should not exceed a vertical plane by more than 10°.

Switches & Pilot Lights

Display Lights

Relays & Sockets

Timers

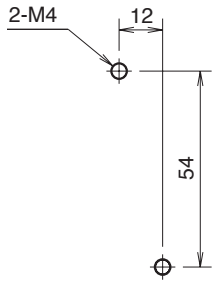
Terminal Blocks

Circuit Breakers

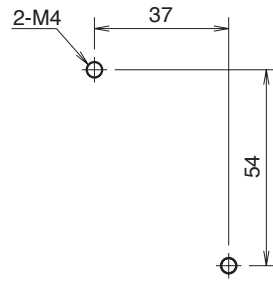
Panel Cut-Outs

NRC Series

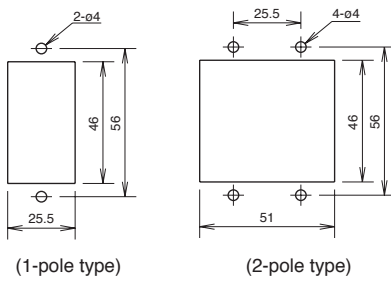
Surface Mounting Hole Layout 1-Pole



Surface Mounting Hole Layout 2-Pole

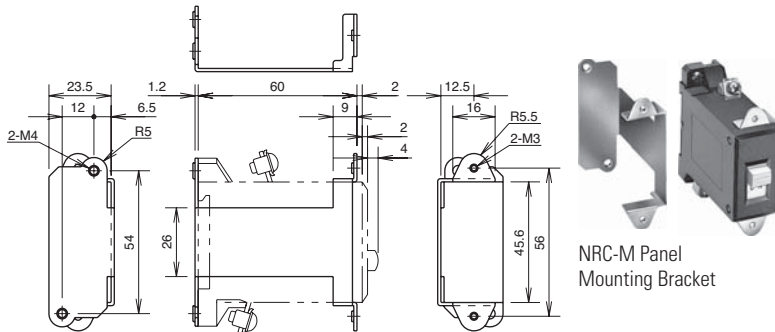


Panel Cut-Out (when using NRC-M)

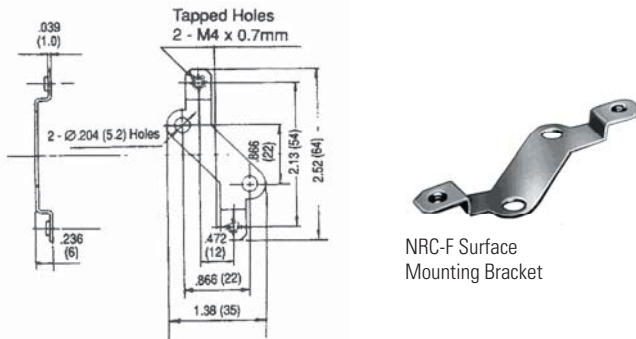


Accessory Dimensions

Panel Cut-Out Mounting Adapter (NRC-M)

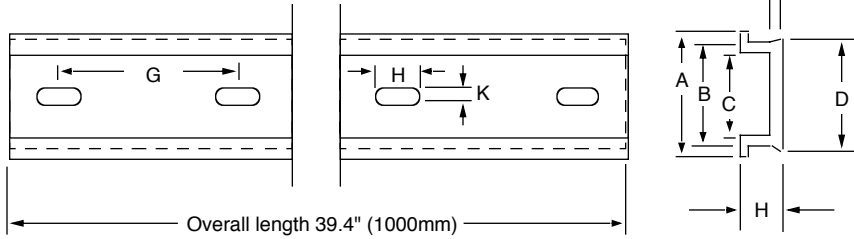


Surface Mounting Bracket (NRC-F)



**Accessory Dimensions, continued**

**BNDN1000 Aluminum DIN Rail**



	Length in Inches (mm)
A	1.4" (35mm)
B	1.14" (29mm)
C	0.78" (23mm)
D	1.2" (31mm)
E	0.41" (10.5mm)
F	0.11" (3mm)
G	2" (51mm)
H	0.47" (12mm)
K	0.16" (4mm)

Switches & Pilot Lights

Display Lights

Relays & Sockets

Timers

Terminal Blocks

Circuit Breakers

Instructions: All Series

General

IDEC's circuit breakers have been developed for the protection of electrical circuits and small-sized electrical equipment and provide excellent protection against overloads and short-circuits.

Additionally, IDEC's circuit breakers are designed to suit specific needs. Each series offers unique circuit protection characteristics and a choice of actuator styles.

IDEC's Circuit Breaker Features

- Various models are available with different tripping characteristics and rated currents
- 1- to 3- multi-pole
- Inertia delay
- Auxiliary contacts and alarm contacts
- The electromagnetic tripping system is not affected by ambient temperature
- Safe trip-free mechanism
- Vibration- and impact-resistant design
- When using accessories such as plug-in bases, flush plates, and colored caps, a variety of mounting styles is possible — such as DIN rail mounting, snap mounting into panel cut-outs, and color-coded arrangement on the panel

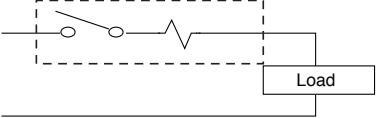
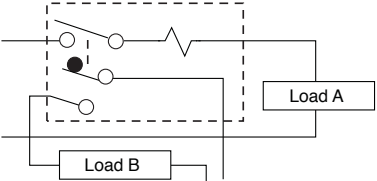
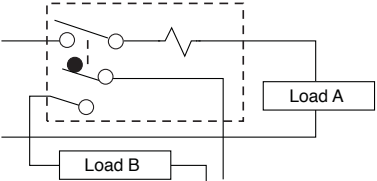
Mounting Instructions: Installation Angle

Designed to be mounted on a vertical surface, the circuit breakers should be mounted on a surface within 10° of the vertical plane. If the circuit breaker is mounted on a horizontal surface or at any angle other than the specified angle, its characteristics will be changed.

Multi-Pole Assemble

Multi-pole types such as 2- or 3-pole should be assembled by IDEC. **Because of their characteristics, 1-pole breakers cannot be combined to produce multi-pole units.**

Internal Circuits Overview

Description	Circuit Example
	<p><b>Series Trip</b> This is the most common circuit breaker, providing overload and short circuit protection. It can also be used as an ON/OFF switch.</p>
	<p><b>Series Trip with Auxiliary Contact</b> Since the auxiliary contact operation is interlocked with the ON/OFF of the main contactor, circuit breaker operation can be monitored by a lamp or buzzer. This circuit breaker can also be used to control auxiliary circuits up to 250V AC/5A (resistive load).</p>
	<p><b>Series Trip with Alarm Contact</b> Since the alarm contact is electrically independent of the main contactor, but actuates when the protective element operates. The alarm can be used with a lamp or buzzer to monitor trip operations, and can also be used for controlling alarm circuits. The contact rating is 250V AC/5A (resistive load).</p>

Applications

The IDEC NRA circuit breaker series features superior overload and short-circuit protection. Many combinations of protection mechanisms and internal circuit connections enable wide applications.

- **Precision measuring instruments:** electronic counters, projection instruments, oscilloscopes, industrial instrumentation, and analytic devices
- **Industrial machinery:** printers, elevators, cranes
- **Chemical and food industry machines:** vacuum devices, wrappers, centrifuges, agitators
- **Machine tools:** mill grinders, drills, presses
- **Business machines:** vending machines, beauty salon equipment, entertainment games
- **Other:** office equipment, air-conditioners, conveyor belts, and many more

How the Breaker Operates

IDEC's hydraulic magnetic circuit breakers operate like a solenoid coil. The coil unit consists of an oil-filled tube with a metal core at one end and a pole piece and armature at the opposite end with a spring in between.

When a current load passes through the coil winding, it creates a magnetic field. As long as the current load is either at or below the nominal rating of the breaker, the metal core will remain stationary.

If the current load increases beyond the nominal rating, the strength of the magnetic field causes the core to move toward the pole-end of the tube. The oil viscosity regulates the core's movement through the tube, thereby regulating the time delay. As the percentage of current load increases, the required trip time of the breaker decreases and vice versa.

When the current reaches the overload rating, the metal core will meet the pole piece at the opposite end of the tube. At this point, the armature is attracted to the same pole piece, tripping the breaker.

In case of sudden short circuit, the magnetic field created will instantly trip the breaker.

Switches & Pilot Lights

Display Lights

Relays & Sockets

Timers

Terminal Blocks

Circuit Breakers